

# LTC 0610 Series High Performance Color Cameras



## Security Systems



- 15-bit DSP Technology
- XF-Dynamic
- Bilinx Communication
- NightSense
- Default Shutter
- Lens Wizard
- Auto Black
- Video Motion Detection

The LTC 0610 Series of High Performance 1/2-inch Digital CCD Color Cameras create the best possible image, even under the most difficult light and scene conditions. The unique 15-bit digital video processing enhances sensitivity while XF-Dynamic extends the dynamic range.

The camera employs the best 1/2-inch CCD available as well as advanced front end processing combined with the outstanding Dinion DSP. These result in astonishing sensitivity, providing better color images in low light situations and sharper daytime images. Intelligent White balance algorithms, supported by a White Balance Hold function and even full manual white balance, ensure the most accurate color reproduction possible.

All Dinion cameras are supplied ready to operate. Simply attach and focus the lens, then connect power to provide optimal pictures under virtually all scene conditions. No tools are required for back focus and power connection. For especially challenging situations where fine tuning or special settings are required, the camera parameters can be individually set using the control buttons on the side of the camera and On-screen Display (OSD). Also, to aid installation, the camera automatically detects the lens type. The Lens Wizard ensures accurate (back) focusing for perfectly sharp pictures at all times.

#### **XF-Dynamic**

XF-Dynamic provides extended dynamic range. The highly accurate 15-bit digital signal is automatically processed to optimally capture the detail in both the high and low light areas of the scene simultaneously, maximizing the information visible in the picture.

#### **Bilinx Technology**

Bilinx is a bi-directional communication capability embedded in the video signal of all Bosch Dinion cameras. Technicians can check status, change camera settings and even update firmware from virtually anywhere along the video cable. Bilinx reduces service and installation time, provides for more accurate set-up and adjustment, and improves overall performance. In addition, Bilinx uses the standard video cable to transmit alarm and status messages, providing superior performance without additional installation steps.

#### **Video Motion Detection**

The built-in video motion detector allows you to select up to four fully programmable areas with individual thresholds. The global scene change detector minimizes false alarms caused by sudden lighting condition changes, such as

switching on or off the indoor or security lighting. When motion is detected alarms may be displayed in the video signal while the output relay can be closed in addition to alarm message transmission on Bilinx

#### **Auto Black**

The automatic black level feature enhances contrast by removing veiling glare from the picture or when contrast is reduced by fog or mist.

#### **Default Shutter**

The LTC 0610 features a fast, default shutter speed in sufficient lighting conditions to capture moving objects. When light levels fall and other adjustments have been exhausted, the shutter speed reverts to the standard setting to maintain sensitivity.

#### **Back Light Compensation (BLC)**

Offering a fully programmable BLC area of interest, and a variable BLC level, the camera can be easily set up for even the most challenging entrance applications.

#### **Lens Wizard**

The installed lens type is automatically detected. The Lens Wizard allows for proper focusing of the lens at the maximum lens opening, to ensure that focus is maintained throughout the entire 24-hour day/night cycle. No special tools or filters are required.

#### **Programmable Modes**

Three independent, preprogrammed operating modes support typical applications, but are fully programmable for individual situations. Switching between modes is easy via Bilinx or the external alarm input.

#### **NightSense**

With NightSense the sensitivity is increased by 9 dB in monochrome mode. NightSense can be automatically activated in low light situations, or remotely using Bilinx.

#### **SensUp**

By increasing the integration time on the CCD up to 10 times, the effective sensitivity is dramatically enhanced. This is especially useful when relying only on moonlight for illumination.

Security you can rely on

# BOSCH

## SPECIFICATIONS

<b>Type numbers</b>	LTC 0610/10 LTC 0610/50 LTC 0610/20 LTC 0610/60
<b>CCD type</b>	1/2-inch interline
<b>Active pixels</b>	752 x 582 (PAL) 768x492 (NTSC)
<b>Sensitivity (Full video)*</b>	0.72 lux
<b>Sensitivity 50 IRE*</b>	0.35 lux / 0.14 lux (NightSense)
<b>Minimum illumination*</b>	0.23 lux / 0.095 lux (NightSense)
<b>Min. Resolution</b>	480 TVL
<b>SNR</b>	> 50 dB
<b>Video output</b>	1 Vpp, 75 Ω
<b>Y/C output</b>	Y: 1 Vpp / C: 0.3 Vpp
<b>Synchronization</b>	Internal, Line Lock, HV-lock and Genlock (Burst lock) selectable
<b>Shutter</b>	Auto (1/60 (1/50) to 1/500000), Fixed, Flickerless, Default
<b>NightSense</b>	Auto, Forced, Off
<b>Sensitivity up</b>	Off, Automatic continuous up to 10x
<b>Auto Black</b>	On, Off selectable
<b>Dynamic Range</b>	32x dynamic range enhancement
<b>Dynamic Noise</b>	
<b>Reduction</b>	Auto, Off selectable
<b>Contour</b>	Sharpness enhancement level selectable
<b>BLC</b>	Off, Area and Level selectable
<b>Gain</b>	Auto (maximum level selectable to 28 dB) or fixed level selectable
<b>Lens Mount</b>	C/CS
<b>White balance</b>	ATW (2500 - 10000 K), AWB hold, Manual WB selectable
<b>VMD</b>	4 area, sensitivity selectable
<b>Alarm output</b>	VMD or Bilinx
<b>Alarm Input (TTL)</b>	Profile switching, +5 V nominal, +40 Vdc max
<b>Alarm Output Relay</b>	max. 30 Vac or +40 Vdc, Max 0,5 A continuous, 10 VA
<b>External sync input</b>	75 Ω or High Impedance selectable
<b>Cable compensation</b>	Up to 1000 m (3000 ft) coax without external amplifiers (automatic set-up in combination with coaxial communication)
<b>Camera ID</b>	16 character editable string, position selectable
<b>Lens types</b>	Manual, DC and Video Iris auto-detect with override DC iris drive: max 50 mA continuous Video iris: 11.5 ± 0.5 VDC, max 50 mA continuous
<b>Remote control</b>	Bi-directional coaxial communication
<b>Power Consumption</b>	4 W
<b>Power Supply</b>	12-28 VAC 110-240 VAC 12-28 VAC 110-240 VAC 11-36 VDC 50 or 60 Hz 11-36 VDC 50 or 60 Hz
<b>Dimensions</b>	59 x 67 x 122 mm (2.28 x 2.6 x 4.8 inch) (hwxl) without lens
<b>Weight</b>	450 g (0.99 lbs) without lens
<b>Tripod mount</b>	Bottom (isolated) and top 1/4" 20 UNC
<b>Operating temperature</b>	-20 °C to +50 °C (-4 °F to +122 °F)
<b>Controls</b>	OSD with softkey operation

## ENVIRONMENTAL

<b>Storage temperature</b>	-25 °C to +70 °C (-13 °F to +158 °F)
<b>Ambient humidity</b>	Operating: 20% to 93% RH, storage up to 98% RH
<b>Electro Magnetic Compatibility</b>	
<b>Emission</b>	EN55022 class B, FCC class B part 15
<b>Immunity</b>	EN50130-4 Alarm Systems, Part 4
<b>Vibration</b>	Camera with 500 gr (1.1 lbs) lens according to IEC60068-2-27
<b>Safety</b>	EN60065 (/10 and /50 models) UL6500, cUL CAN/CSA E60065-00 (/20 and /60 models)

## OPTIONAL

<b>Accessories</b>	VP-CFGSFT Configuration software for cameras using Bilinx. Includes VP-USB Adaptor.
--------------------	---

## Power transformers

<b>TC1334</b>	120 VAC, 60 Hz	24 VAC, 30 VA
<b>TC120PS</b>	120 VAC, 60 Hz	15 VDC, 9 VA
<b>TC220PSX-24</b>	220-240 VAC, 50/60 Hz	24 VAC, 20 VA
<b>TC220PS</b>	220-240 VAC, 50/60 Hz	15 VDC, 9 VA

## RECOMMENDED LENSES

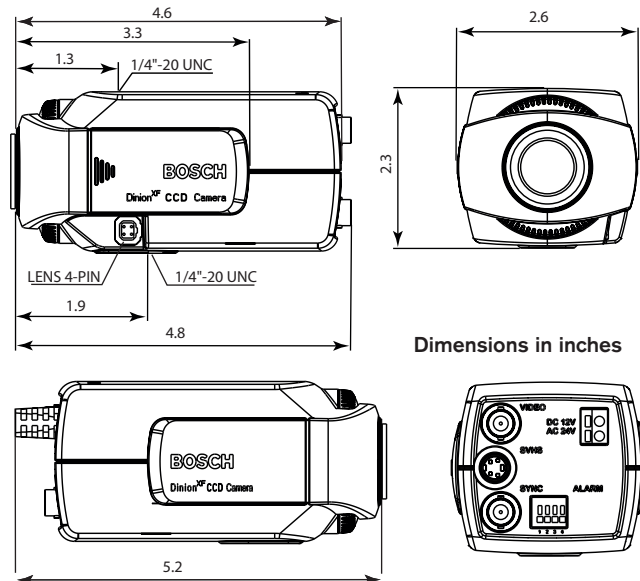
### Varifocal lenses

<b>LTC 3264/30</b>	1/2" DC-iris, 4.5-10 mm	F1.6-360
<b>LTC 3274/40</b>	1/2" DC-iris, 7.5-75 mm	F2.2-360

### Zoom lenses

<b>LTC 3283/20</b>	1/2" Video-iris, 8-48 mm	F1.4-360
--------------------	--------------------------	----------

\*Scene illumination, F1.2 lens, 89% scene reflectance, Sens Up Off



Distribuição: Tucano Comercio de Alarmes e Sistemas Eletrônicos  
End: R. Desembargador Antonio de paula N°3577  
Fone/Fax: (041) 3286-2867  
Home page: www.tucanobrasil.com.br  
E-mail: tucano@tucanobrasil.com.br

# BOSCH